

Powermax1650®

A Duramax® retrofit torch upgrade is available see page 154. Available consumables for the Duramax retrofit torch see page 134-135.

T100/T100M/T100M-2 torch consumables



Original consumables for the T100 torches remain available and are listed below.



Minimum order quantity			1	1	5	5	1
Consumable type	Torch type	Amperage	Shield/Deflector ¹	Retaining cap	Nozzle	Electrode	Swirl ring
Shielded	Hand	40	120929 ¹	120928	120932 ¹	120926 ³	120925
		60			120931 ¹		
		80			120927 ¹		
		100	220065 ¹	220048	220011 ¹	220037 ¹	220051



Minimum order quantity			1	1	5	5	1
Consumable type	Torch type	Amperage	Shield/Deflector	Retaining cap	Nozzle ²	Electrode ²	Swirl ring
Unshielded ³	Hand/Machine	40	120979	120928	220006	120926 ¹	120925
		60			220007		
		80			120980		
		100	220048	220064	220037 ¹	220051	

¹Consumable available in bulk packaging. See order information on next page.

²In countries following CE standards, unshielded consumables may only be used in mechanized torch applications.

³CE shield for use in countries requiring CE, CCC, GOST marks.



Minimum order quantity			1	1	5	5	1
Consumable type	Torch type	Amperage	Shield/Deflector	Retaining cap	Nozzle	Electrode	Swirl ring
Mechanized	Machine	40	120930 ¹	120928 220061 (ohmic)	120932 ¹	120926	120925
		60			120931 ¹		
		80			120927 ¹		
		100	220047 ¹	220048 220206 (ohmic)	220011 ¹	220037 ¹	220051



Minimum order quantity			1	1	5	5	1
Gouging	Hand/Machine	60-80	120977	120928	220059	120926 ¹	120925
		100		220048	220063	220037 ¹	220051

¹Consumable available in bulk packaging. See order information below.



Minimum order quantity			1	1	5	5	1
Consumable type	Torch type	Amperage	Shield/Deflector	Retaining cap	Nozzle	Electrode	Swirl ring
FineCut®	Hand	40	120979	120928 220061 (ohmic)	220329	120926 ¹	220327
		40 CE ³	220325				120925
	Machine	40	120979 220404 (ohmic)				
		40 CE ³	220325 220404 (ohmic)				

¹Consumable available in bulk packaging. See order information below.

³CE Shield for use in countries requiring CE,CCC,GOST marks.

Consumable bulk kits

Order quantity	25	25	25	25	25	25	10	10	10	10
Bulk kit part number	228437	228443	228440	228442	228441	228438	228439	228601	228600	228444
Contents	120926 electrode	220037 electrode	120931 nozzle	220011 nozzle	120932 nozzle	120927 nozzle	120929 shield	120930 shield	220047 shield	220065 shield



T100 hand torch parts

For use with the Powermax1650®

This torch is also compatible with the Powermax1250 and Powermax1000.

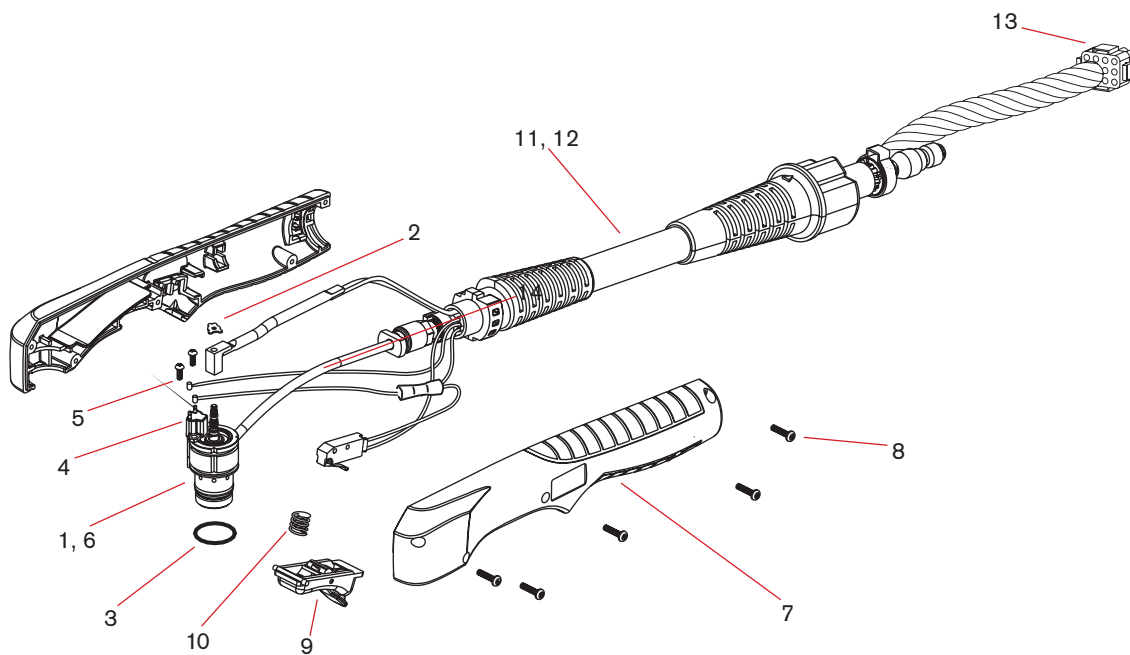


T100 hand torch parts

Item	Part number	Description
	059498	T100 hand torch assembly with 7.6 m (25') leads
1	128767	Kit: T100 torch main body replacement (does not include cap sensor)
2	027889	Retaining clip
3	058519	O-ring
4	128639	Kit: Cap-off sensor replacement
5	075571	Cap-off sensor screw
6	128768	Kit: T100/T100M torch head repair (does not include head)
7	128644	Kit: T100 torch handle replacement
8	075714	Handle screws
9	002244	Safety trigger
10	027254	Trigger spring
11	128755	Kit: T100 lead replacement, 7.6 m (25')
12	128752	Kit: T100 lead replacement, 15.2 m (50')
13	128772	Kit: ETR connector repair (regional repair centers only)
14	128642	Kit: Start switch replacement
	123654	Work lead with clamp, 6.1 m (20')
	123655	Work lead with clamp, 15.2 m (50')

¹Assembly includes consumables.

 Selected torches and repair parts are no longer available.
A Duramax® retrofit torch upgrade is available see page 154.



T100M machine torch parts

For use with the Powermax1650®

This torch is also compatible for the Powermax1250 and Powermax1000.

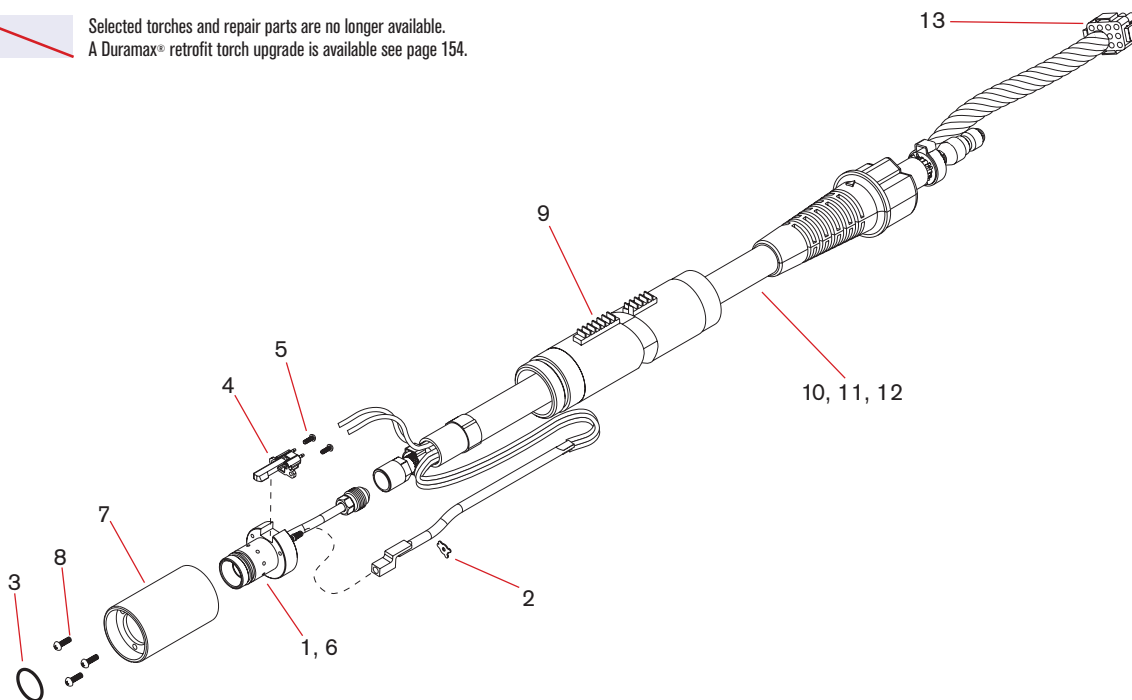


T100M machine torch parts

Item	Part number	Description
	059309*	Test torch with 1.8 m (6') leads
1	128754	Kit: T100M torch main body replacement (does not include cap sensor)
2	027889	Retaining clip
3	058519	O-ring
4	128639	Kit: Cap sensor switch replacement
5	075571	Cap-off sensor screw
6	128768	Kit: T100/T100M torch head repair (does not include head)
7	128643	Kit: T100M mounting sleeve replacement
8	075004	Torch mounting screw
9	128710	Torch positioning sleeve
10	128753	Kit: T100/T100M lead replacement, 7.6 m (25')
11	128751	Kit: T100/T100M lead replacement, 10.7 m (35')
12	128759	Kit: T100/T100M lead replacement, 15.2 m (50')
13	128772	Kit: ETR connector repair (regional repair centers only)
	128645	Kit: Torch mounting (for reassembly after installation)
	128650	On/Off pendant for machine torch, 7.6 m (25')
	128651	On/Off pendant for machine torch, 15.2 m (50')
	128652	On/Off pendant for machine torch, 22.8 m (75')
	123654	Work lead with clamp, 6.1 m (20')
	123655	Work lead with clamp, 15.2 m (50')

*Assembly includes consumables.

~~Selected torches and repair parts are no longer available.
A Duramax® retrofit torch upgrade is available see page 154.~~



T100M-2 machine torch parts

For use with the Powermax1650®

This torch is also compatible for the Powermax1250 and Powermax1000.



T100M-2 machine torch parts

Item	Part number	Description
	059501*	T100M-2 machine torch assembly with 7.6 m (25') leads
	059502*	T100M-2 machine torch assembly with 10.7 m (35') leads
	059503*	T100M-2 machine torch assembly with 15.2 m (50') leads
	059504*	T100M-2 machine torch assembly with 22.8 m (75') leads
1	228523	Kit: T100M-2 torch main body replacement (does not include cap sensor)
2	075473	Machine screws
3	075503	Lock nuts
4	058519	O-ring
5	128639	Kit: Cap-off sensor replacement
6	075571	Cap-off sensor screw
7	228522	Kit: T100M-2 torch head repair
8	128643	Kit: Torch mounting sleeve replacement
9	075004	Torch mounting screw
10	128710	Torch positioning sleeve
11	228222	Kit: T100M-2 lead replacement, 7.6 m (25')
12	228223	Kit: T100M-2 lead replacement, 10.7 m (35')
13	228224	Kit: T100M-2 lead replacement, 15.2 m (50')
14	228225	Kit: T100M-2 lead replacement, 22.8 m (75')
15	128772	Kit: ETR connector repair (regional repair centers only)
	128645	Kit: Torch mounting (for reassembly after installation)

*Assembly includes consumables.

 Selected torches and repair parts are no longer available.
A Duramax® retrofit torch upgrade is available see page 154.

